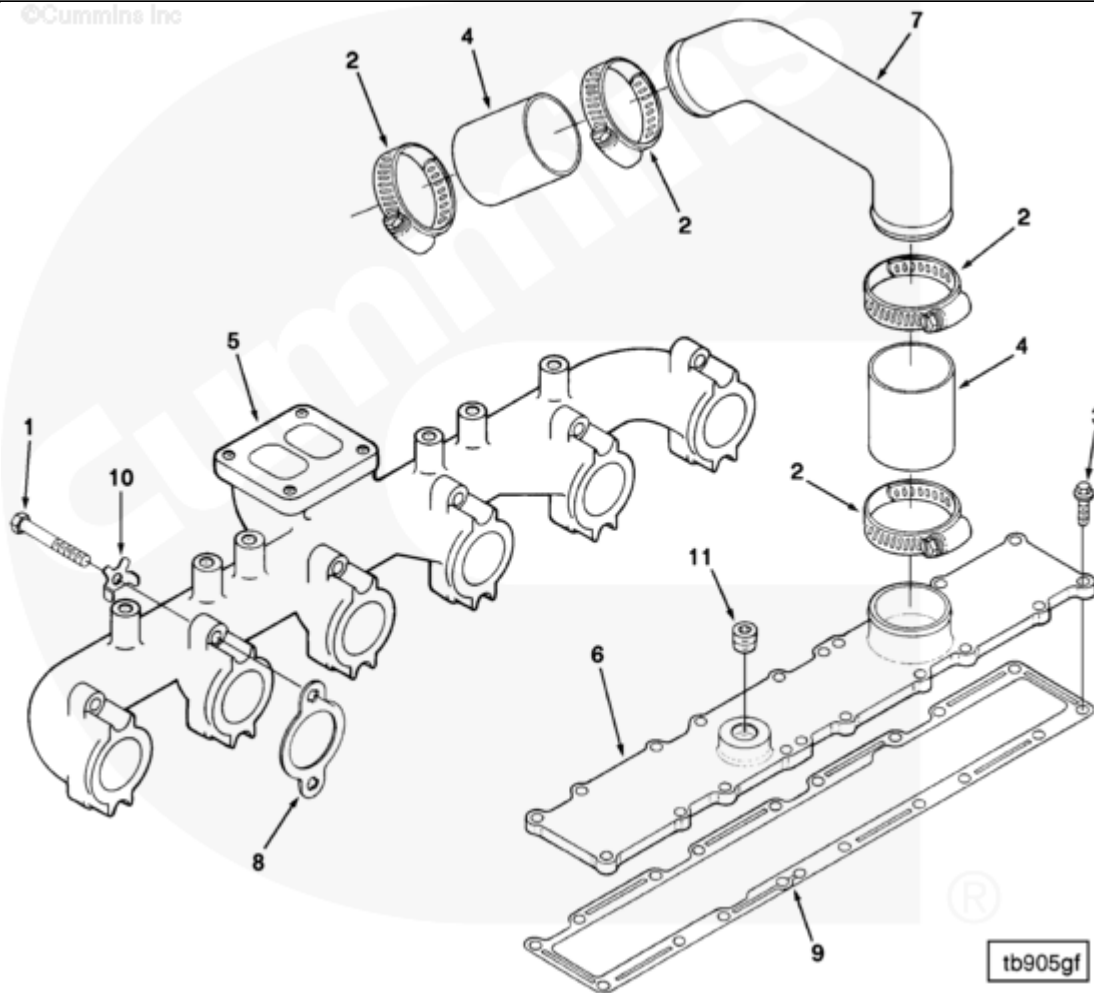




## Parts Catalog - Option Detail

Electronic Parts Catalog - Option Detail				
Option	Group	Graphic	Film Card	Date
TB9018	10.06.1	tb905gf	Z	07-AUG-95
<b>Engines</b>	6C8.3, C GAS PLUS CM556, G8.3, G8.3 CM558, GTA8.3 CM558, ISC CM2150, ISC CM554, ISC CM850, ISC8.3 CM2250, ISC8.3 G CM2180 C101, ISL CM2150, ISL CM554, ISL CM850, ISL G CM2180, ISL8.9 CM2150 L110, ISL8.9 CM2880 L112, ISL9 CM2150 SN, ISL9 CM2250, ISL9 CM2350 L101, ISL9 CM2350 L111, ISLE4 CM850, L GAS PLUS CM556, L8.9, L8.9 L121, L8.9G CMOH2.0 L125B, L9 CM2350 L116B, L9 CM2350 L119B, L9 CM2350 L120C, L9 CM2350 L123B, L9.3 L105, L9.5 L117, L9N CM2380 L124B, QSC8.3 CM2250, QSC8.3 CM2880 C102, QSC8.3 CM554, QSC8.3 CM850(CM2850), QSL9 CM2250, QSL9 CM2250 L115, QSL9 CM2350 L102, QSL9 CM2350 L107, QSL9 CM2350 L118, QSL9 CM2350 L122, QSL9 CM554, QSL9 CM850(CM2850), QSL9 G CM558, QSL9 M CM2250 L106, QSL9.3 CM2880 L113			



SMALL | MEDIUM | LARGE

Cart	Ref No	Part Number	Part Description	Required	Remarks
View My Cart					
		TB9018	Turbocharger Arrangement		MR - LOCATION, TURBOCHARGER... (More)

					Engine Family: C Series
					Cylinders: 6
					Exhaust Outlet Location:
					HMFO
					Turbo Exhaust Location
					from Front Face of Block
					(mm): 417.4
					Exhaust Vertical from Crank
					Centerline (mm): 602.9
					Exhaust Horizontal from Crank
					Centerline (mm): 254.7
					Aspiration: Turbocharged
					Crossover Routing: Low rear
					Oil Supply Routing: Outboard
					Exhaust Manifold Type: Dry
					Intake Cover Provided: Yes
					Turbine Outlet Flange Type:
					Half Marmon
					Turbocharger Type:
					Non-Wastegate
					Structure Code: 02 EBM
					Cylinder Head Type: Standard
					Additional Mounting Bosses:
					6
					Base Turbo ID17 Number:
					3528777
					3528789
					3528793
	1	3929537	Hexagon Head Cap Screw	12	M10 x 1.50 x 70

<input type="checkbox"/>					
<input type="checkbox"/>	2	<a href="#">3924386</a>	T-Bolt Clamp	4	
<input type="checkbox"/>	3	<a href="#">3902114</a>	Hexagon Flange Head Cap Screw	18	M8 X 1.25 X 30.
<input type="checkbox"/>	4	<a href="#">3916437</a>	Plain Hose	2	
	5	<a href="#">3906741</a>	Exhaust Manifold	1	
<input type="checkbox"/>	6	<a href="#">3922648</a>	Intake Manifold Cover	1	
<input type="checkbox"/>	7	<a href="#">3906742</a>	Air Tube	1	
<input type="checkbox"/>	8	<a href="#">3929012</a>	Exhaust Manifold Gasket	6	
<input type="checkbox"/>	9	<a href="#">3914311</a>	Intake Manifold Cover Gasket	1	
<input type="checkbox"/>	10	<a href="#">3914708</a>	Lock Plate	12	
<input type="checkbox"/>	11	<a href="#">3008468</a>	Pipe Plug	1	1/2 NPT.